

Under-Counter Wine Cooler

E24WC75HPS professional series



Integrated Electronic Controls

Reversible side-swing door with integrated electronic controls located conveniently on the top of the door ensure this unit will fit anywhere.



Smooth-Glide™ Shelves

With a ball bearing system, shelves are so smooth they extend effortlessly.



48-Bottle Capacity

The space-efficient, under-counter wine cooler safely and conveniently stores up to 48 bottles.



Tinted, Thermal, UV-Resistant Glass Door

Tinted, thermal-tempered glass door protects your wine collection from potentially harmful UV light rays.

24" UNDER-COUNTER SIDE-SWING WINE COOLER

| | |
|----------------------------------|-----------------------|
| Sabbath Mode (Star-K® Certified) | Yes |
| Capacity | 6 Cu. Ft. |
| Maximum Storage | 48 Bottles |
| Installation Type | Built In/Freestanding |

FEATURES

| | |
|--------------------------------------|-----|
| Integrated Electronic Controls | Yes |
| Fully Integrated Control Panel | Yes |
| Electronic Control Lock | Yes |
| Blue LED Display | Yes |
| Frost-Free Performance | Yes |
| Dynamic Condenser | Yes |
| PureAdvantage® Air Filter | Yes |
| Precision Set™ Controls | Yes |
| Display Temp Mode (°C or °F) | Yes |
| Door Open Acoustic Alarm | Yes |
| Power Failure Acoustic Alarm | Yes |
| Mute Sound Control | Yes |
| Theatre-Style Lighting | Yes |
| Exhibit Lighting with Manual Control | Yes |
| Power-On/Off Control | Yes |
| Vacation Mode | Yes |
| Smooth-Glide™ Full-Extension Racks | 7 |
| Black Soft Coat Wireform Racks | Yes |
| Maple Wood Front on Racks | Yes |

ADDITIONAL FEATURES

| | |
|--|-----|
| Professional Series Door and Handle Design | Yes |
| UV-Filtered, Tinted Glass Window | Yes |
| Self-Closing Door | Yes |
| Adjustable Leveling Legs | 4 |

ACCESSORIES

| | |
|--|----------|
| Field-Reversible Door Kit – 5303918374 | Optional |
|--|----------|

SPECIFICATIONS

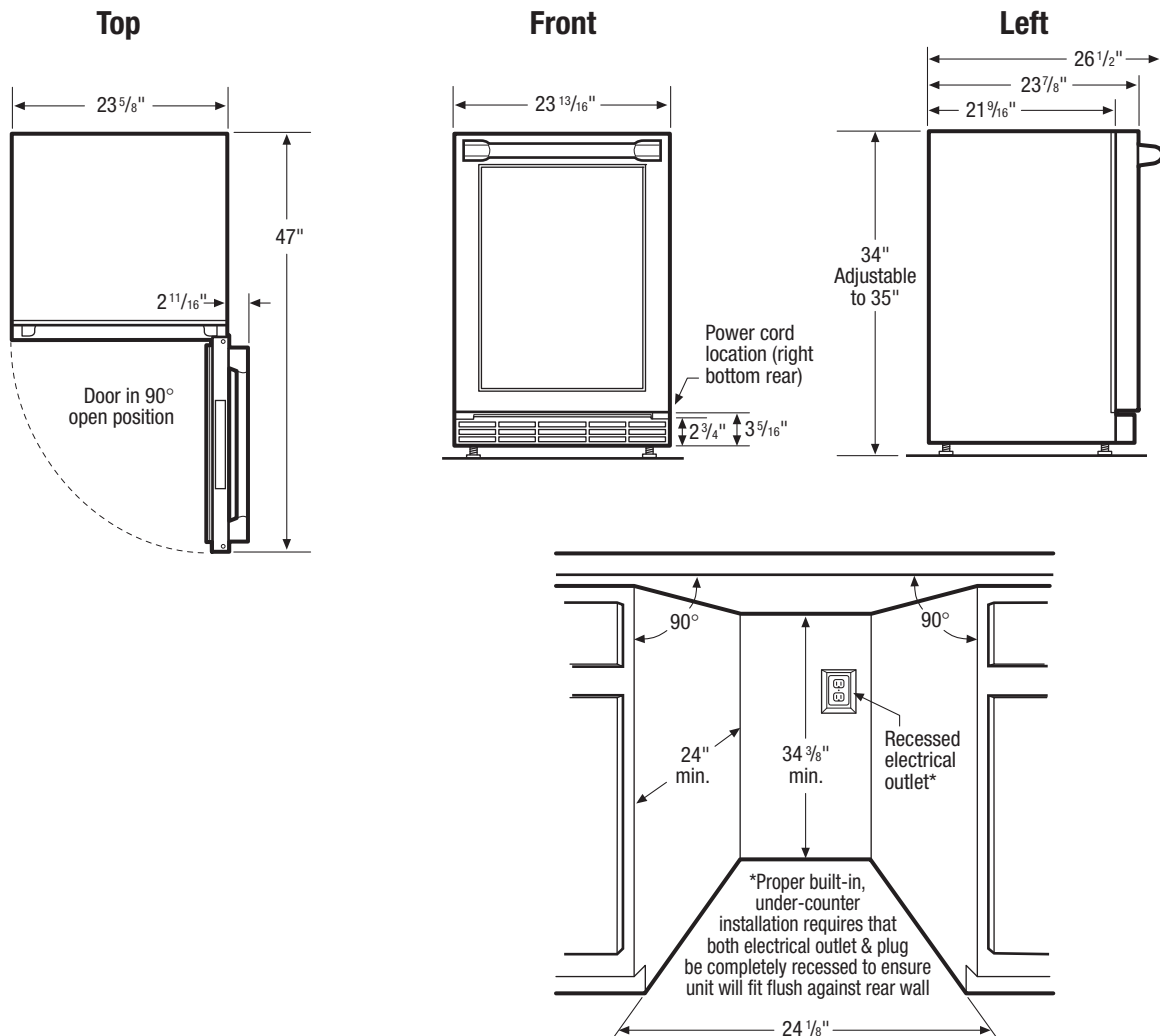
| | |
|---|-------------------|
| Overall Exterior Dimensions – | |
| Height (Adjustable) | 34" – 35" |
| Width | 23-13/16" |
| Depth | 23-7/8" |
| (Including Handle) | 26-1/2" |
| (with 90° Door Open) | 47" |
| Temperature Range | 45° F – 65° F |
| Power Supply Connection Location | Right Bottom Rear |
| Voltage Rating | 120V/60Hz/15A |
| Connected Load (kW Rating) @ 120 Volts‡ | 0.15 |
| Minimum Circuit Required (Amps) | 15 |
| Product Weight | 159 Lbs. |
| Shipping Weight (Approx.) | 166 Lbs. |

Optional accessories available on the web at electroluxicon.com.

‡For use on adequately wired 110V, dedicated circuit having 2-wire service with a separate ground wire. Appliance must be grounded for safe operation.

NOTE: Always consult local and/or national electric codes. Refer to Product Installation Guide for detailed installation instructions on the web at electroluxicon.com.

Specifications subject to change.



Under-Counter Wine Cooler Specifications

- Product Weight – 159 Lbs.
- Voltage Rating – 120V/60Hz/ 15 Amps
- Connected Load (kW Rating) @ 120 Volts = 0.15kW
(For use on adequately wired 120V, dedicated circuit having 2-wire service with a separate ground wire. Appliance must be grounded for safe operation.)
- Amps @ 120 Volts = 6 Amps
- Electrical cable supplied.
- Always consult local and/or national electric codes.
- Unit is designed for either freestanding or built-in, under-counter installation.
- Built-in, under-counter installation does not require additional airspace for top, sides or rear of unit.
- Proper built-in, under-counter installation requires that both electrical outlet and plug be completely recessed to ensure unit will fit flush against rear wall.
- To allow for ease of installation and removal, it is recommended that cabinet rough opening dimensions be increased by at least 1/4" over product's dimensions.

- For proper ventilation, unit can NOT be installed behind closed doors; front grille MUST remain unobstructed.
- Must be positioned on flat, level surface, capable of supporting entire weight when fully loaded.
- Leveling legs supplied to adjust height and level unit.
- Do not position unit near any heat source to ensure optimum performance.
- Unit requires zero clearance when installing flush with cabinet or wall.
- When installing against cabinet or wall that extends beyond front edge of unit, 2-7/8" minimum handle clearance required to allow for 90° door swing, providing sliding shelves with necessary clearance. (Door swing can be reversed with installation of Field-Reversible Door Kit – 5303918374).

Note: For planning purposes only. Refer to Product Installation Guide on the web at electroluxicon.com for detailed instructions.

Optional Accessories

- Field-Reversible Door Kit – (5303918374).

Electrolux Major Appliances, N.A.

USA • 250 Bobby Jones Expressway • Augusta, GA 30907 • 1-877-4electrolux (1-877-435-3287) • electroluxicon.com
 CANADA • 5855 Terry Fox Way • Mississauga, ON L5V 3E4 • 1-800-265-8352 • electroluxicon.ca